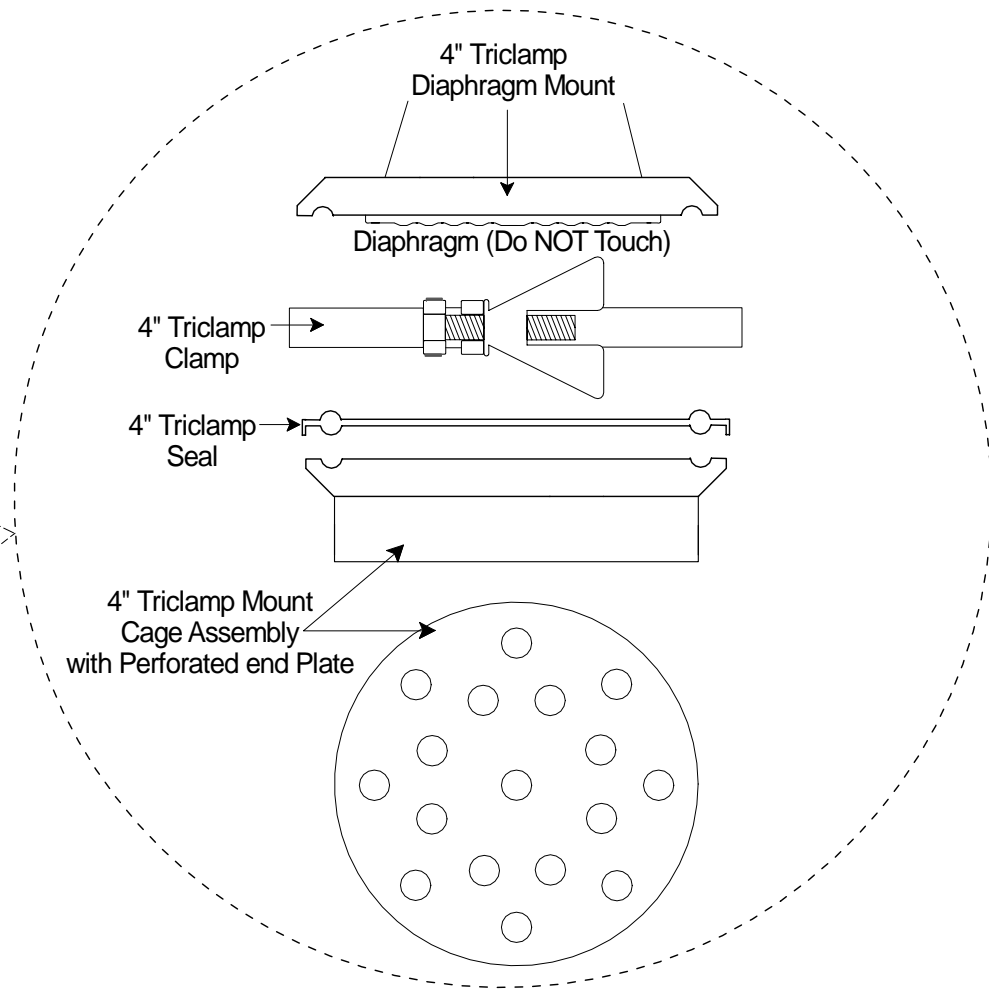
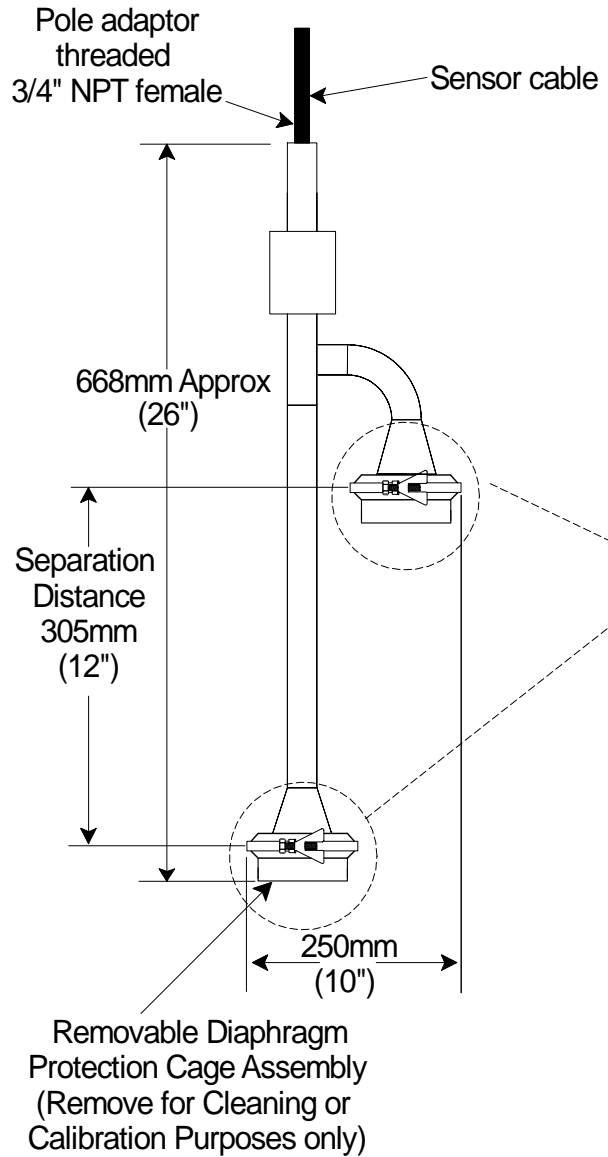


SALES DRAWING ONLY  
NOT TO BE USED FOR MANUFACTURE



ISSUE	A	B
DATE	16-03-11	12-02-13
DCR		
DRAWN	SAL	SAL
CHECKED		

**PSm** Instrumentation Ltd

Haywards Heath, West Sussex RH16 1TW  
 ph: 44 (0) 1444 410040 f: 44 (0) 1444 410121  
<http://www.psm-sensors.co.uk>

SCALE  
NTS

UNLESS OTHERWISE STATED DIMENSIONS ARE IN  
MILLIMETRES / INCHES

TITLE  
Density Transmitter  
Protection Cage Assembly

DRAWING NO  
S001341-290-GO

**A4** SHT 1 OF 1