

### VP Minor S.S

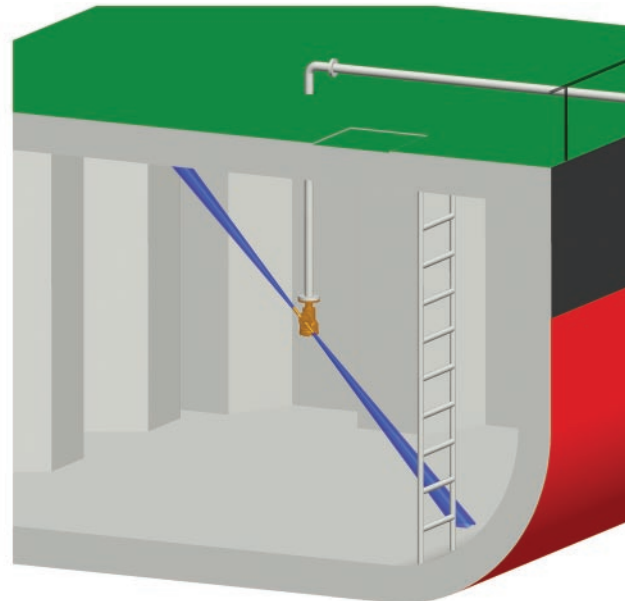


### Description

Tank washing is a vital part of a ship's operation and it is essential that the equipment onboard is reliable and fit for purpose. Victor Marine bring with them a long tradition of supplying robust and efficient equipment and can offer both twin and single nozzle machines, offering a solution to all tank washing problems.

The VP Minor is a pre-programmed twin nozzle tank washing machine available in 316 Stainless Steel. This unit is suitable for use on both small and medium crude oil, chemical and product tankers and can be supplied as a fixed portable application.

### Typical Installation



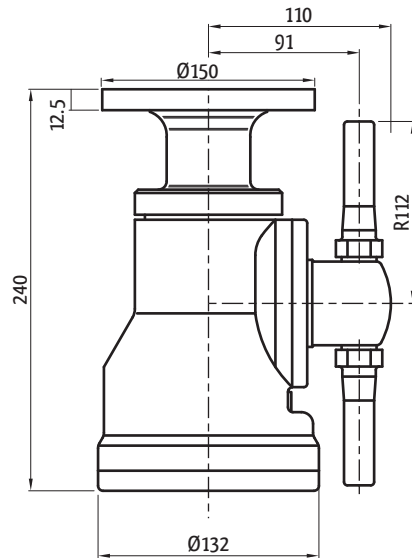
### Key Features

- ▶ Uses an orbital progressive intensity wash pattern to meet IMO Annex II pre-wash requirements;
- ▶ Nozzle sizes range from 7mm to 11mm;
- ▶ Offered with either 'sealed for life' or 'media lubricated' drive to ensure no cargo contamination;
- ▶ Simple to service, quick removal gear assembly with use of hi-performance long life gears;
- ▶ Alternative flange (up to 160mm diameter) and fixings available;
- ▶ Sealed unit available for use in corrosive mud tanks;
- ▶ Fully Type Approved by Class Societies worldwide.
- ▶ Please see overleaf or separate 'Ancillaries' information sheet for details.

**TECHNICAL SPECIFICATION**

Supply Pressure kg/cm <sup>2</sup>	NOZZLE DIAMETERS														
	2x7mm			2x8mm			2x9mm			2x10mm			2x11mm		
	Flow m <sup>3</sup> /hr	Jet length mtrs	Cycle Time mins	Flow m <sup>3</sup> /hr	Jet length mtrs	Cycle Time mins	Flow m <sup>3</sup> /hr	Jet length mtrs	Cycle Time mins	Flow m <sup>3</sup> /hr	Jet length mtrs	Cycle Time mins	Flow m <sup>3</sup> /hr	Jet length mtrs	Cycle Time mins
6	7.3	9.6	27	10	10	26	10.4	10.6	27	13	11.6	26	15	12.6	24
8	8	10.3	21	11.3	10.8	20	11.6	11.3	23	14.2	12.4	22	16.2	13.3	20
10	8.5	11	18.5	12.2	11.5	18	12.6	12	19	16	13	20	17.7	14	18
12	9.2	11.6	18	13	12.1	17	13.7	12.6	16	17.6	13.5	18	19.3	14.6	17

**General arrangement**



**Design Service**

Our Engineering Department offers a full design service including product selection and shadow diagrams prior to installation.

**Wash Pattern**

Pre-programmable Rotary 360°

**Jet Length**

Maximum: 14.6mtrs (78ft)  
Typical: 9-14mtrs (30-46ft)

**Operating Pressure**

Maximum: 12 kg/cm<sup>2</sup> (190 psi)  
Optimum: 5-10 kg/cm<sup>2</sup> (72-145 psi)

**Flow Capacity**

Minimum: 7 m<sup>3</sup>/hr (35 US gal/min)  
Maximum: 19 m<sup>3</sup>/hr (84 US gal/min)

**Wash Cycle**

Time: Variable on supply pressure  
Typical: Between 16-30 mins  
Type: 4 cycles for complete wash

**Operating Temperature**

Maximum: 95° C (203° F)

**Lubrication**

Via wash media or sealed grease lubricated gearbox

**Installation**

Min deck opening: Ø 200mm (8.0 inches)  
Fixed flanged: Dtd DIN 40 NP10  
(Ø 150mm with 4x14mm holes on a 110 PCD)  
Portable: 1 ½" BSP Male thread

**Weight**

Fixed flanged: 10.2kgs (22.5 lbs)  
Portable: 8.2kgs (18.1lbs)

**Ancillary equipment available**

Layflat and Rigid Hoses, Ducting, Various Fittings and Adaptors, Transport Trolley.

Please see separate 'Ancillaries' information sheet for details.