



KD-MLG Magnetic Float Level Gauge



KEY FEATURES

- High visibility of liquid level with no external power requirements compared to glass tube level gauges.
- Float SG, connection length, scale graduation & markings constructed to suit each application.
- Wide range of DIN, JIS & ANSI pattern process connections.
- Stainless steel float and chamber construction ensures compatibility with common marine fluids for safe installation and operation.
- Designed, constructed and type approved for marine duty.
- Robust and reliable with no requirement for routine service or calibration

Part of the **TankWatch** product group



Magnetic Float Level Gauges

The magnetic float level gauge operates using a float, with an internally sealed magnet, that rises and falls inside the tubular chamber connected at the top and bottom to the storage tank.

Floats are specifically calibrated to match the conditions of the vessel. The density, operating pressure and temperature are taken into account, ensuring that the measured level is accurate and repeatable.

On the outside is a vertical indicator rail housing a series of indicator flappers. Each of the coloured flappers contains a small magnet which rotates through 180°, changing its coloured face from white to red, when passed by the magnet within the float.

The indication rail is interlocked by the individual magnets in each of the flaps, which ensures a stable indication under the most severe operating conditions such as vibration, fast changes in liquid level (surging) and de-gassing / boiling of the product.

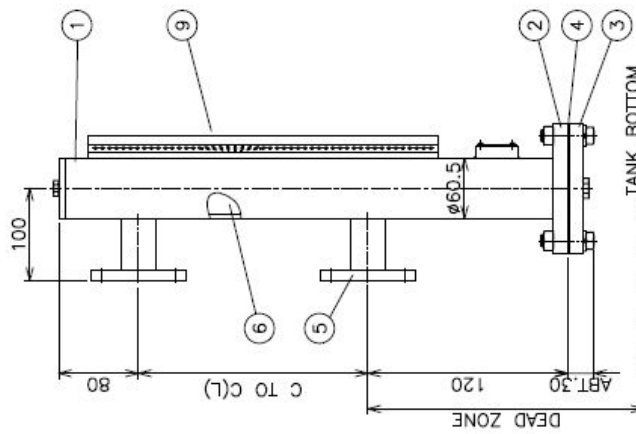
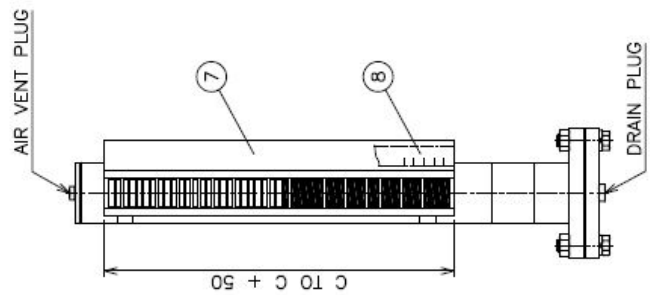
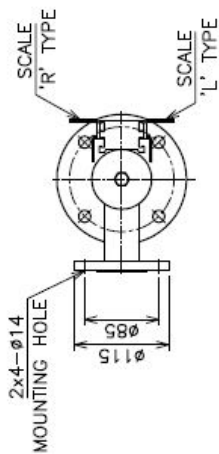
Optional side-of-chamber modules are available to provide a switch point or continuous (mA) output.



Specifications

Mounting type	DIN / ANSI / JIS flange with integral support for longer gauge heights
Materials of construction	Chamber, float, connection flanges, indicator rail : SS 304 Scale : Marine Bronze
Process connections centre - to- centre	300 ... 6000 mm
Process connection type	DIN / ANSI / JIS flange.
Maximum operating pressure	5 barg
Maximum operating temperature	150°C.

Dimensions and connection options



SPECIFICATION

1. MODEL ; KD-MLG
2. MAX. PRESSURE ; 5Kg/cm²
3. MAX. TEMPERATURE ; 150°

PART NO	PART NAME	MATERIAL
9	ROTOR	
8	SCALE	BS
7	SCALE SUPPORT	SUS304
6	FLOAT	SUS304
5	SIDE FLANGE	SUS304
4	PACKING	NON-ASBESTOS
3	LOWER FLANGE	SUS304
2	UPPER FLANGE	SUS304
1	PIPE	SUS304