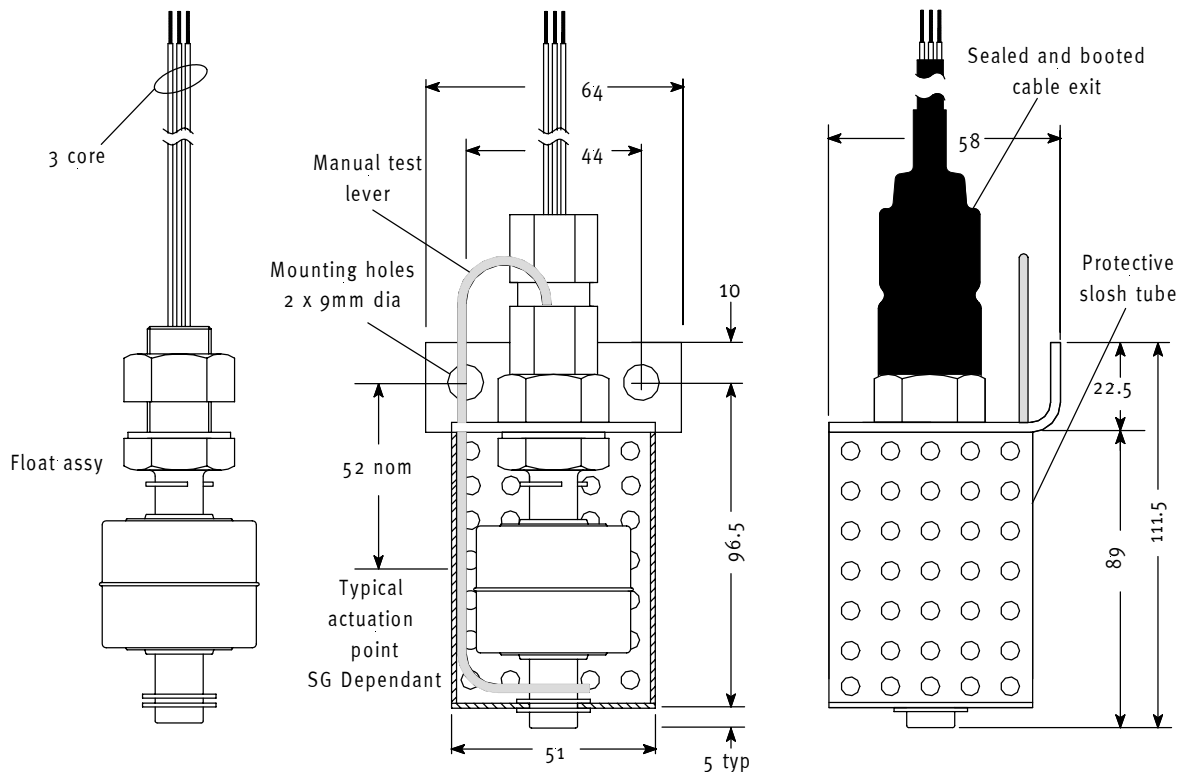




BILGE LEVEL SWITCH BLS 9200

The Bilge Switch Model BLS 9200 is designed to be installed in ships bilges and tanks, industrial sumps and tanks where it would be bolted in situ at the required alarm level. This switch is corrosion resistant stainless steel fully submersible construction with an hermetically sealed SPDT reed switch potted in epoxy. This switch is also designed with a manual lift test mechanism to be used to check switch operation.

The BLS 9200 is very durable and designed to tolerate harsh conditions.



Float SG: 0.62
Max Rating: 100* W ac/dc resistive
Max Volts: 500V dc / 250Vac
Switch rating: 100VA, SPDT

WIRING XLPE 3 Core SWA Armoured Cable	
Black	= Normally Closed
Brown	= Normally Open
Grey	= Common

NOTE: *The actuation point can vary slightly depending on the temperature and specific gravity of the individual liquid being detected*

Important notes:

Attempting to put excessive power through the bilge switch will irreparably damage the reed switch internals.

- 1. If the power rating of the switch is greatly exceeded, the contacts will become permanently welded together.**
- 2. If the switch is allowed to arc (spark) as it opens or closes the plated contacts will fail over time. [the greater the arc - the more rapidly failure will occur]**

Do not be misled by the resistive ratings of the switches. Most applications involve inductive loads and many low wattage loads are often high inductance devices. Switches ratings are quoted for a resistive load. Suppression is very important to protect the switch.

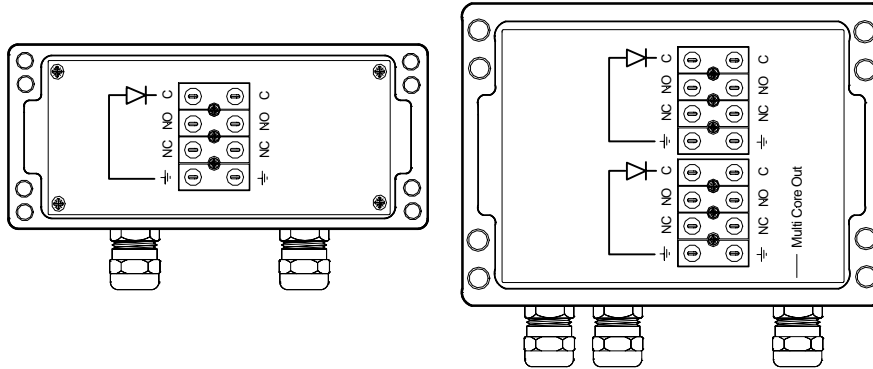
Lamp loads

Incandescent lamp loads can be very destructive to reed switch applications. These type of loads have a 6-10 times the normal operating current when first energised [inrush].

ARC suppression

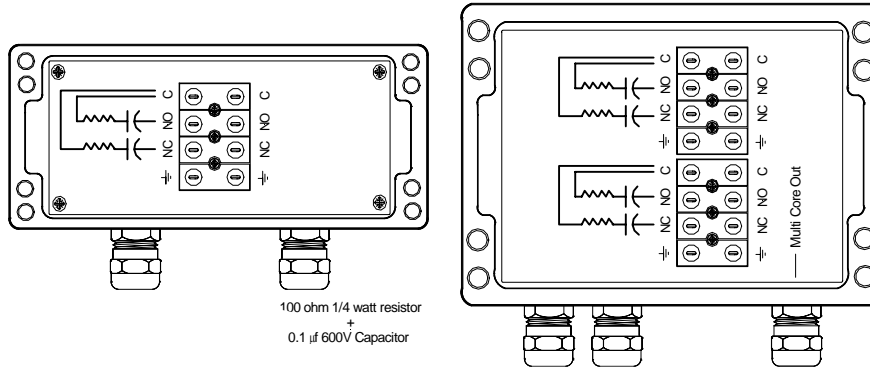
For a DC circuit – a one amp diode placed in parallel with the load will suppress the arc. Select a diode with a voltage rating of at least three times [3x] or more of that of the circuit rating. Connect diode cathode to positive.

DC Protection



For a AC circuit - a capacitor and resistor fitted in parallel with the switch. Use a 0.1µf 400-600V capacitor and a 50 to 100 ohm ¼ watt resistor in series with the capacitor.

AC Protection



Suitable arc suppression components are supplied loose with the PSM junction boxes.



We confirm that the products mentioned in this manual conform to the required safety standards in accordance with LVD 2006/95/EC

PSM WEEE Producer Registration No WEE/HC0106WW

PSM Instrumentation Limited Burrell Road, Haywards Heath, W Sussex RH16 1TW UK
 Phone 44 (0) 1444 410040 Fax 44 (0) 1444 410121
 Http://www.psm-sensors.co.uk email:sales@psm-sensors.co.uk