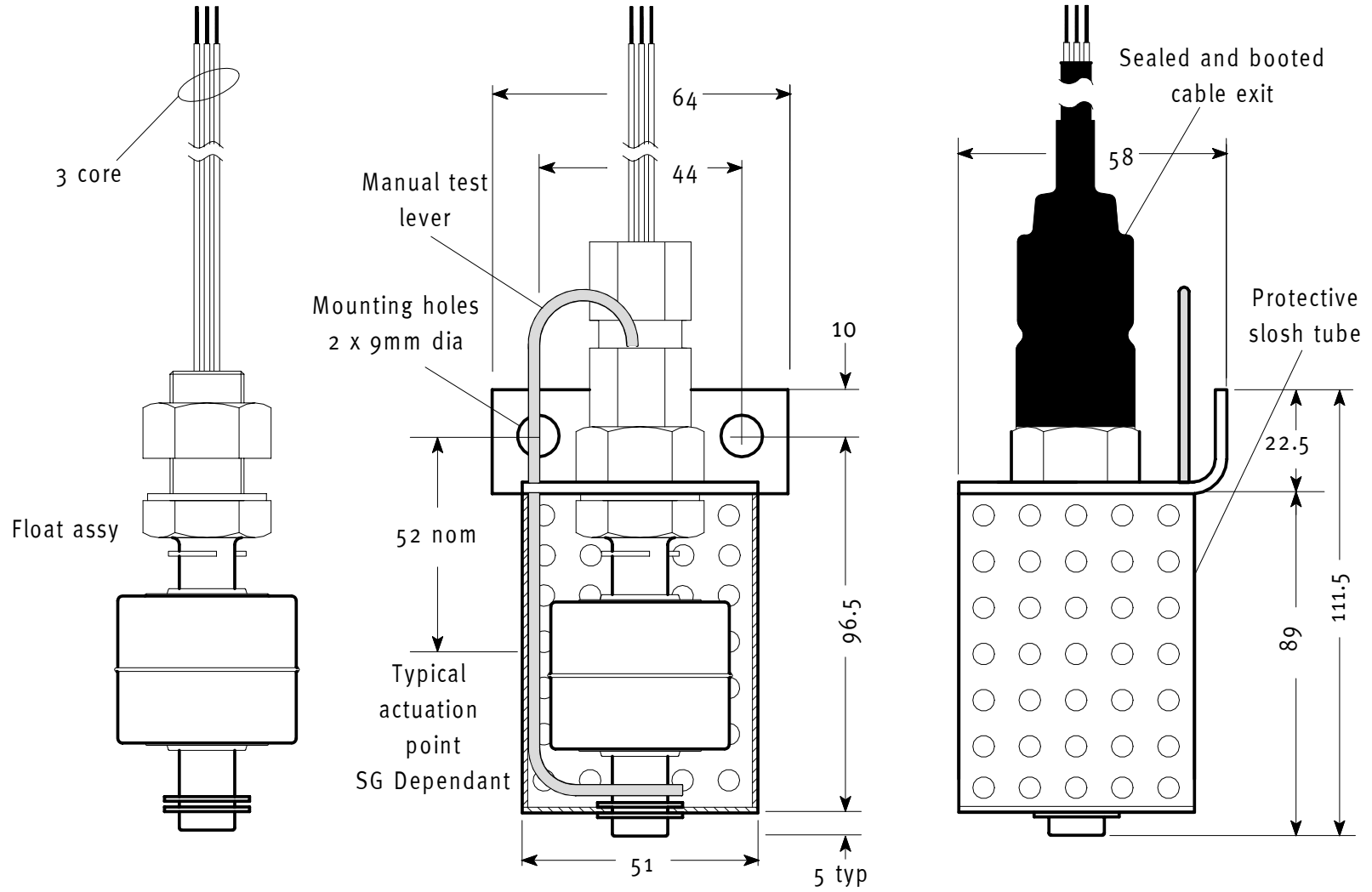


SALES DRAWING ONLY
NOT TO BE USED FOR MANUFACTURE



All Dimensions are nominal

ISSUE	A	B	C	D
DATE	30-06-08	23-10-08	09-09-09	24-06-10
DCR				
DRAWN	JEC	JEC	JEC	JEC
CHECKED				

PSm Instrumentation Ltd

Haywards Heath, West Sussex RH16 1TW
ph: 44 (0) 1444 410040 f: 44 (0) 1444 410121
<http://www.psm-sensors.co.uk>

SCALE
NTS

UNLESS OTHERWISE STATED DIMENSIONS ARE IN
MILLIMETRES / INCHES

TITLE
BLS Bilge Switch
Series 9200 General Outline

DRAWING NO
S-001311-9200-GO

A4 SHT 1
OF 1