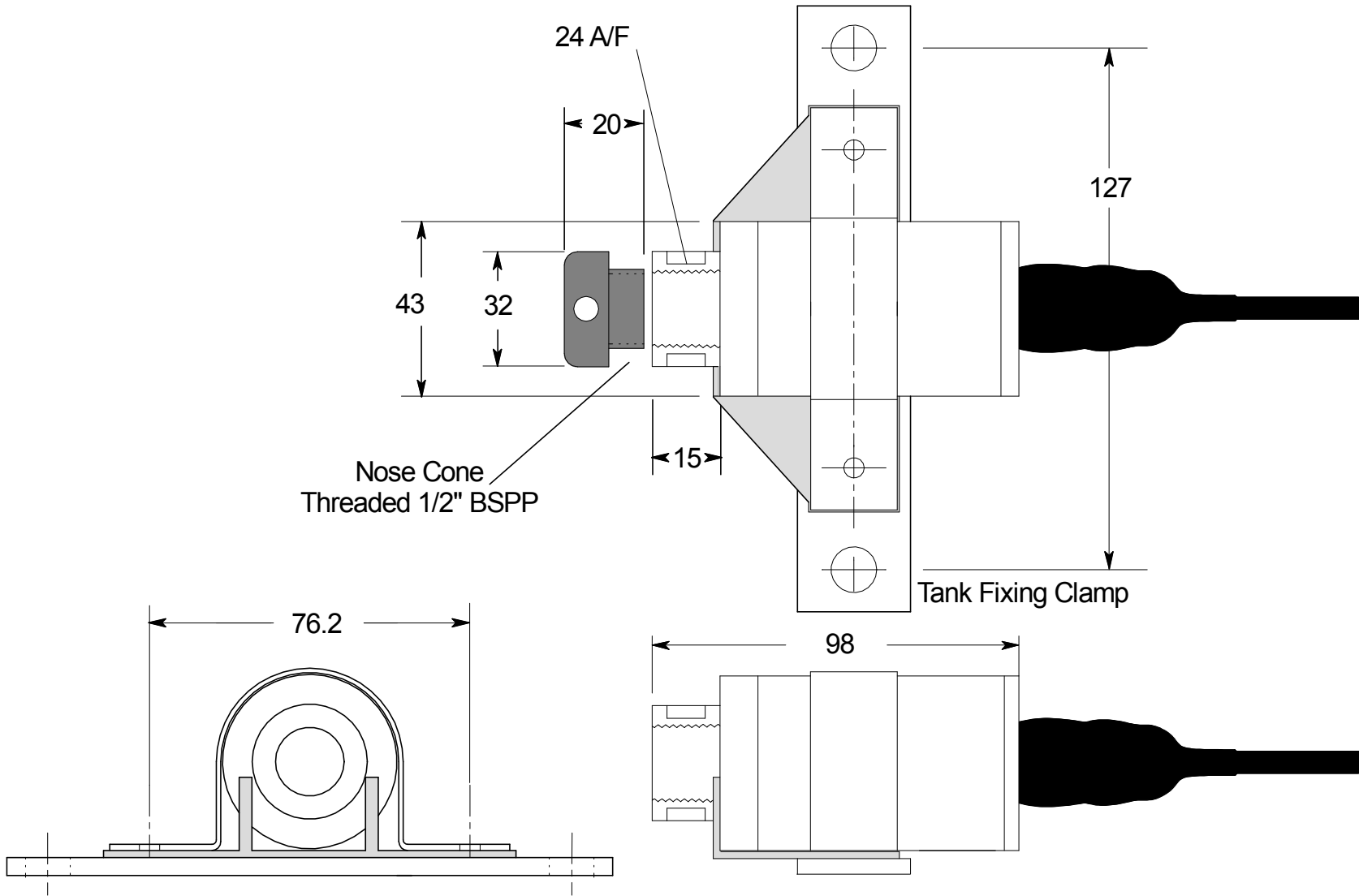


SALES DRAWING ONLY  
NOT TO BE USED FOR MANUFACTURE



ISSUE	A	B	C
DATE	03-02-2009	17-01-2011	02-07-14
DCR			
DRAWN	PC	PC	SL
CHECKED	JK	MMJ	MMJ

**PSm** Instrumentation Ltd

Haywards Heath, West Sussex RH16 1TW  
 ph: 44 (0) 1444 410040 f: 44 (0) 1444 410121  
<http://www.psmmarine.com>

SCALE  
NTS

UNLESS OTHERWISE STATED DIMENSIONS ARE IN  
MILLIMETRES / INCHES

TITLE  
Submersible iCT with  
tank fixing clamp

DRAWING NO  
S-001322-iCT-GO

**A4**

SHT 1  
OF 1